

OPTIONS

BRAKE TYPE:

DISC

BRAKE ROUTING:

INTERNAL

SHIFTER TYPE:

MECH

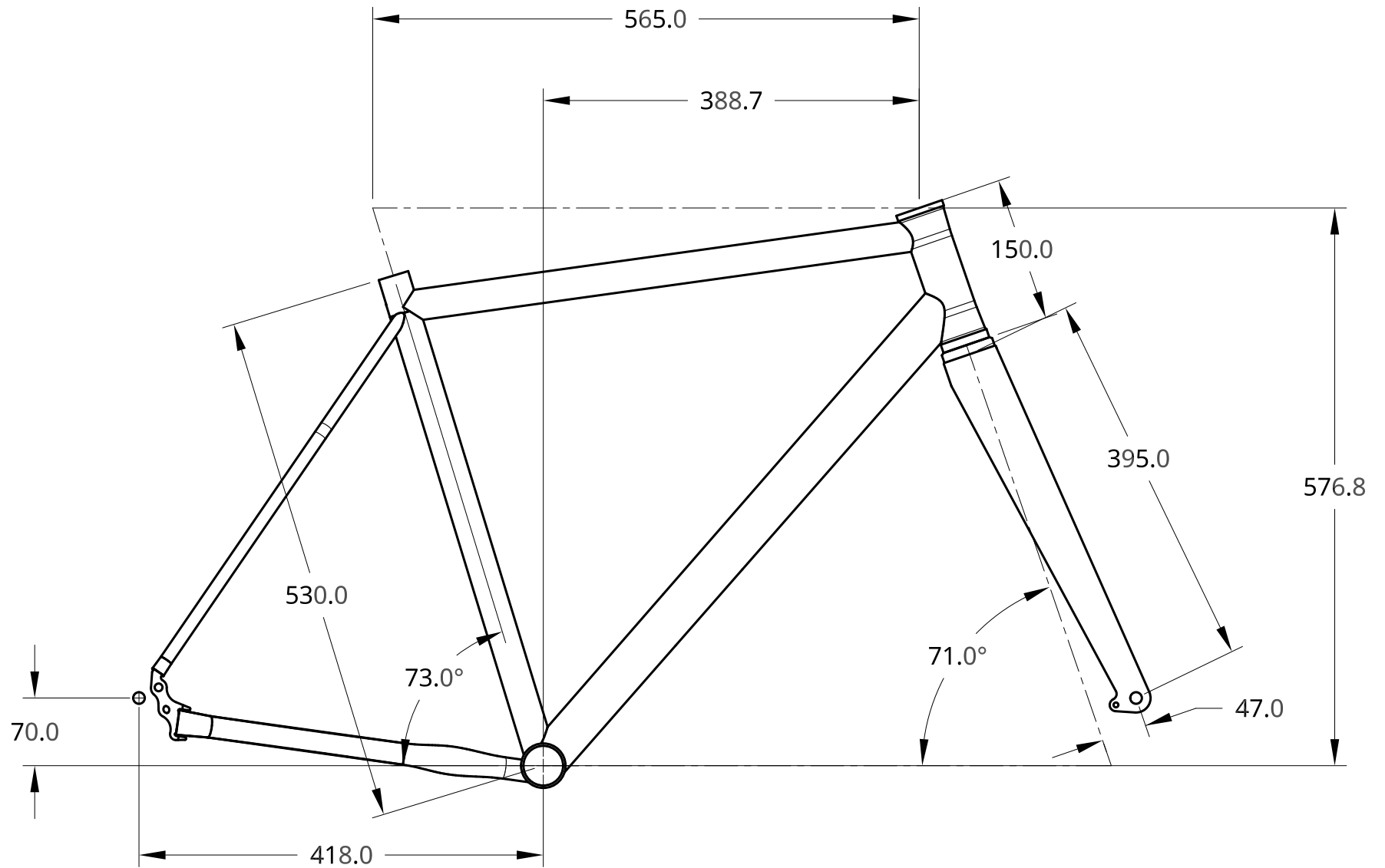
SHIFTER ROUTING:

INTERNAL

RACK MOUNTS:

FENDER MOUNT:

3RD BOTTLE MOUNTS:



T-Lab

GEOMETRY

CLIENT:

SWO NO:
1900502

DATE:
01/21/2019

MODEL:
T-LAB X1

GEOMETRY:
AGG. GRAVEL

SIZE:
MEDIUM

DRAWN BY:
F. LAROUCHE

REVISIONS:
CLIENT SIGNATURE:

NOTE : DIMENSIONS ARE IN MM (UNLESS OTHERWISE SPECIFIED)