

OPTIONS

BRAKE TYPE:

DISC

BRAKE ROUTING:

INTERNAL

SHIFTER TYPE:

MECH

SHIFTER ROUTING:

INTERNAL

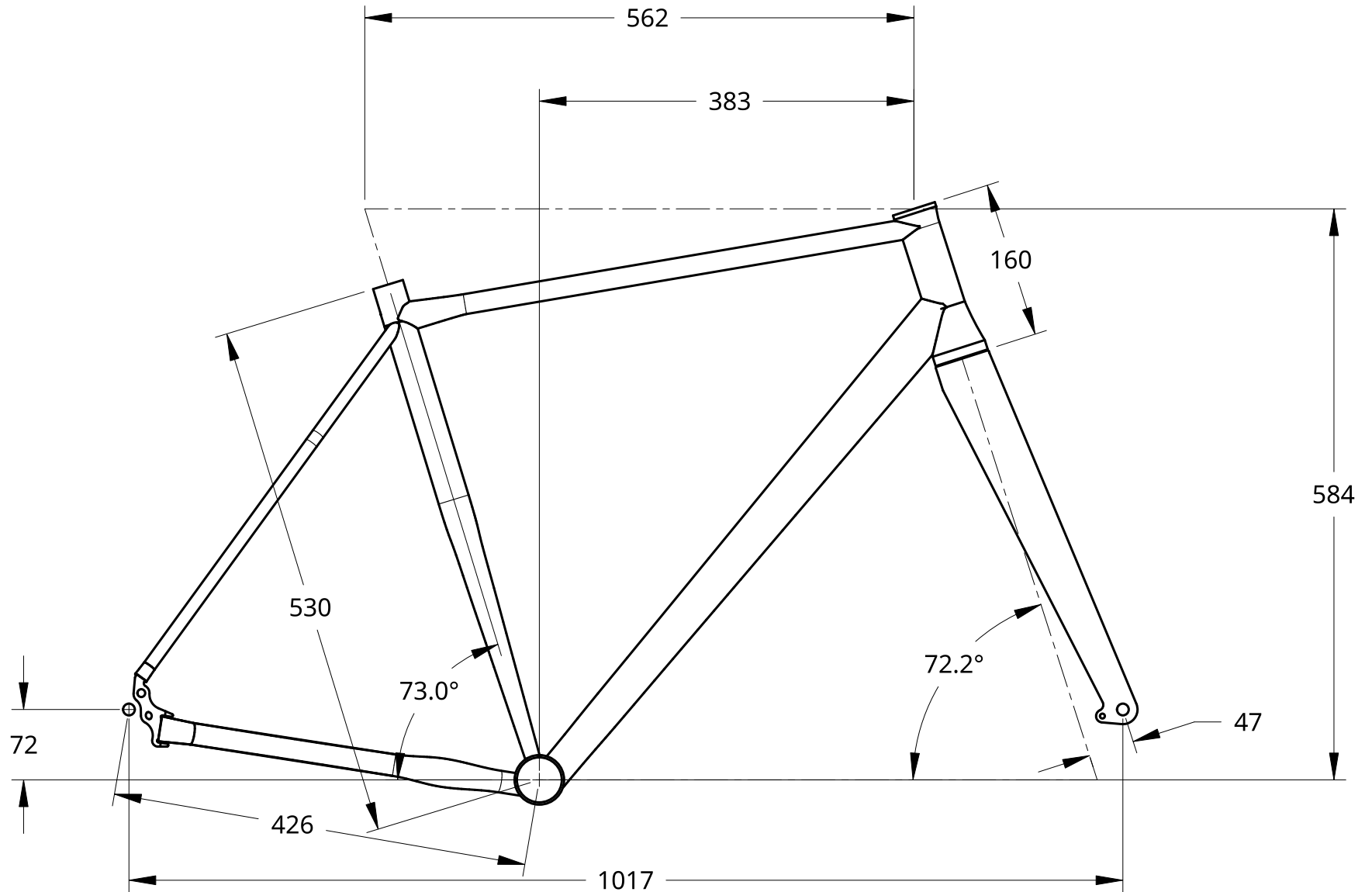
RACK MOUNTS:

YES

FENDER MOUNT:

YES

3RD BOTTLE MOUNTS:



T-Lab

GEOMETRY

CLIENT:

SWO NO:

DATE:

09/13/2019

MODEL:

T-LAB X3

GEOMETRY:

GRAVEL

SIZE:

MEDIUM

DRAWN BY:

F. LAROUCHE

REVISIONS:

CLIENT SIGNATURE:

NOTE : DIMENSIONS ARE IN MM (UNLESS OTHERWISE SPECIFIED)