

# OPTIONS

BRAKE TYPE:  
RIM

BRAKE ROUTING:  
INTERNAL

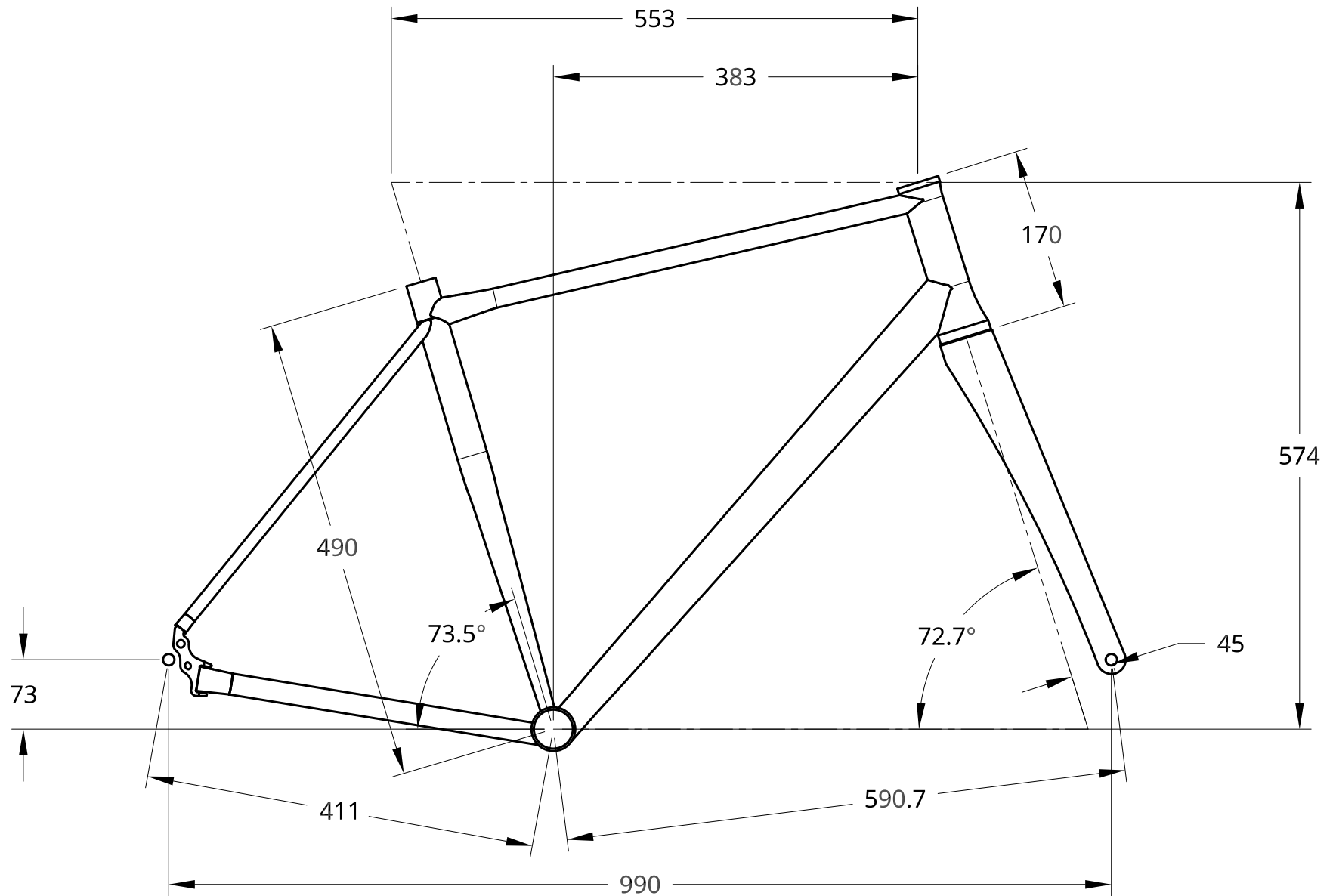
SHIFTER TYPE:  
MECH

SHIFTER ROUTING:  
INTERNAL

RACK MOUNTS:

FENDER MOUNT:

3RD BOTTLE MOUNTS:



<b>T-Lab</b>		<b>GEOMETRY</b>		CLIENT:	
SWO NO: 1802603	DATE: 02/26/2019	MODEL: T-LAB R3	GEOMETRY: ENDURANCE	SIZE: MEDIUM	
DRAWN BY: F. LAROUCHE		REVISIONS: 0	CLIENT SIGNATURE:		

NOTE : DIMENSIONS ARE IN MM (UNLESS OTHERWISE SPECIFIED)